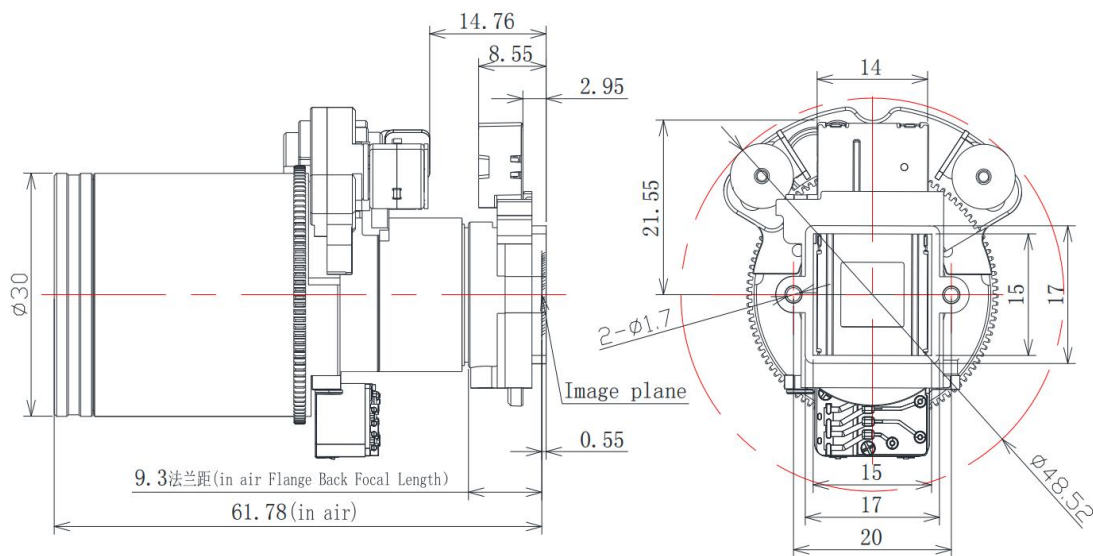


**Model No. MTV-0550BDM127(5MP)-T**

- 5-50mm
- 4 Megapixel
- 1/2.7"
- D14 Mount
- IR Lens
- Motorized Auto iris Lens



Model(型号)		MTV-0550BDM127(4MP)-T
Focal Length(焦距)		5-50mm
Resolution (分辨率)		4 Megapixel
Aperature (光圈)		F1.6
Image Format (像面尺寸)		1/2.7"
Horizontal Field Angle (水平视场角)		50.85°~7.67°
Mount (接口)		D14
Operation (操作)	Zoom (变焦)	Motorized
	Focus (聚焦)	Motorized
	Iris (光圈)	Auto iris
Back Focal Length (光学后焦)		6.87-7.1mm
TTL (光学总长)		61.78mm
MOD (最小物距)		1m-3m
IR Function		Yes
Weight (重量)		68g
Working Environment (工作温度)		-20℃~60℃
Dimension (尺寸)		Φ30x57.65mm

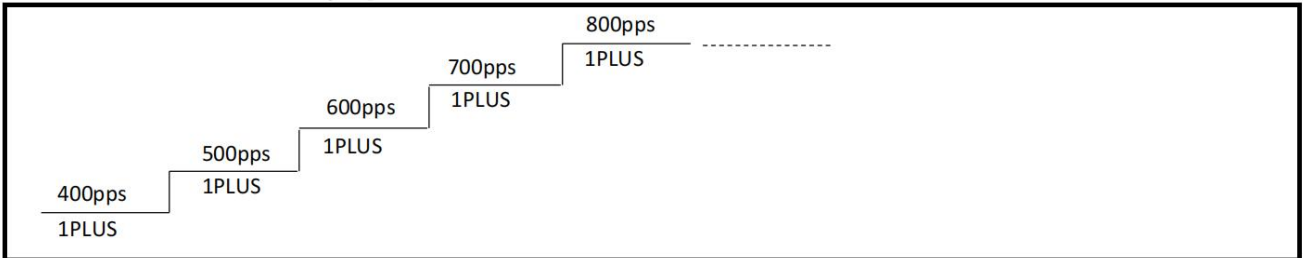


## Operating Manual of Motor

NO	项目 ITEM	标准 standard
1	马达外径尺寸 (Outside diameter)	φ8mm
2	相数 (NO. of phases)	2相 phase(Bipolar)
3	线圈阻抗 (Coil resistance)	40 Ω/phase ±10%
4	电压使用范围 (Voltage range)	4.2-5V
5	线圈最大电流 (Coil max Current)	125mA/Phase
6	推荐驱动条件 (Recommended conditions)	4.2V 2-2相 300~800 PPS(加速accelerating)
7	步进角 (Step angle)	0.224度/Step
8	激磁方式 (Excitation)	2-2bipolar
9	环境温度 (Environment temp)	参照环境参数规格Refer to the environmental parameter specifications
10	变倍行程 Zoom range(wide=>Tele)	2342步 (Steps) 0.002882mm/Step
11	聚焦行程 Focus range(Near=>Far)	2343步 (Steps) 0.004867mm/Step

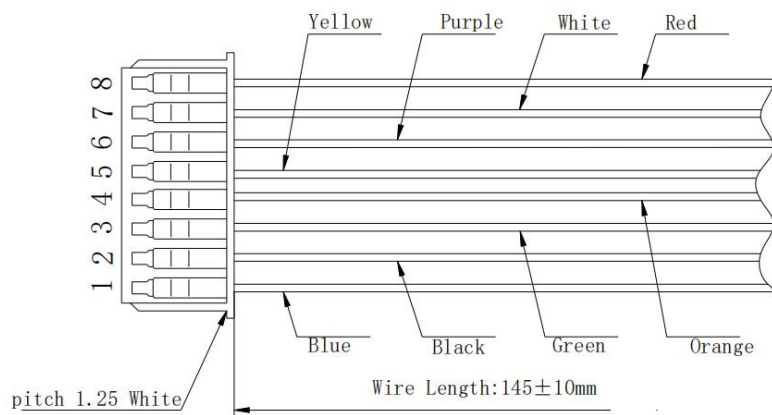
※驱动电流要求: 105~125mA/phase (参考电压4.2-5V, 2-2相驱动, 建议正弦波形输出, AB相电流相位差90°)。  
 Drive current: 105~125mA /phase (Reference Voltage 4.2-5v, 2-2 phase, recommend sinusoidal waveform output, AB line current phase difference 90°)  
 ※建议使用频率: 300-800PPS。(Frequency Recommended:300-800PPS)

### 驱动速度加速条件Driving speed acceleration conditions:



### 马达端子定义Motor terminal:

PIN	颜色Color	定义Definition
1	蓝线 (blue)	FOCUS A-
2	黑线 (black)	FOCUS A
3	绿线 (green)	ZOOM A-
4	橙线 (orange)	ZOOM A
5	黄线 (yellow)	ZOOM B
6	紫线 (purple)	ZOOM B-
7	白线 (white)	FOCUS B-
8	红线 (red)	FOCUS B



### 注意事项 (NOTE):

不可用手强用力转动前/后调圈, 以免破坏齿轮箱, 一切操作需用镜头驱动治具作动! Do not turn the front/back adjusting ring by hand forcefully so as not to damage the gearbox. All operation shall be driven by lens driving fixture!

## Operating Manual of P-Iris

NO	项目ITEM	条件Condition	单位Unit	标准Standard
1	开放口径(Opening Aperture)	-	mm	Φ8.4
2	线长(Wire Length)	-	mm	110±5
3	线圈阻抗 (DC Coil)	20℃	Ω	28.5±10%
5	操作电压Action voltage	电压使用范围 (Voltage range)	V	2.6-3.8
6		推荐条件 (Voltage recommended)	-	3V 2-2相 100PPS
7	激磁方式 (Excitation)	-	-	2-2bipolar
8	步进角 (Step angle)	2-2相驱动	degrees	0.7
9	操作温度Operating Temp	-	-	参照环境参数规格 Refer to the environmental parameter specifications
10	相关湿度Relative Humidity	-	-	参照环境参数规格 Refer to the environmental parameter specifications

## 端子定义Terminal definition

### PIRIS

PIN	线颜色 Line color	端口名称 Pin Name
1	白线 (White)	A-
2	黑色 (Black)	B+
3	红色 (Red)	A+
4	绿线 (Green)	B-

### 配线细节 Line Details

